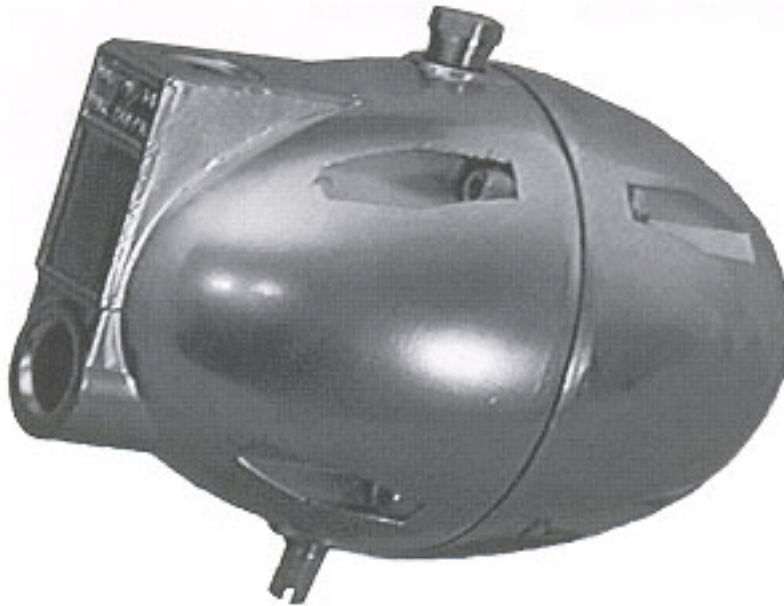


CAD 250

COMPRESSED AIR DRAIN

For Condensate Removal



Features....

- Aluminum Housing
- Fully Pneumatic
- No Wasted Air
- Proven Design
- Made in U.S.A.
- Vent Adapter Included
- Includes Manual Blowdown Valve
- Non-Corrosive Internals
- In-line Serviceability
- Horizontal Discharge

AIR SYSTEM PRODUCTS, INC.

51 Beach Ave. • Lancaster, NY 14086 • (716)683-0435 FAX (716) 683-7128 • www.airsyspro.com

"The Best in Condensate Drain Technology"

DESIGN

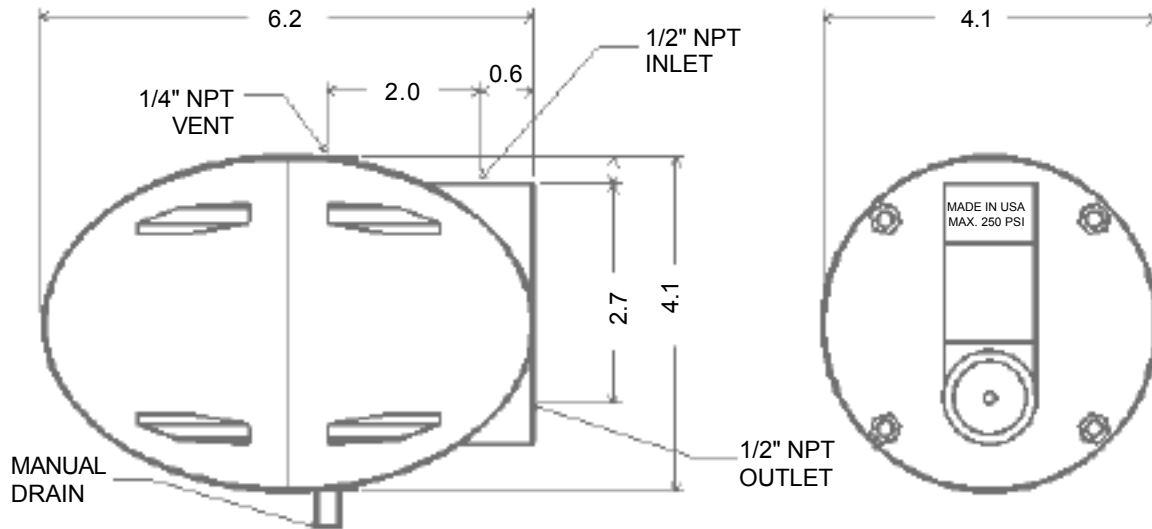
The **CAD 250** is designed for the automatic removal of unwanted accumulations of oil and water from compressed air lines. The lightweight aluminum housing allows the **CAD 250** to be installed without the need for mounting brackets. A vent adapter is included to prevent air locking and make installation easy. A 1/4" connection is available for an external balance line if required.

The use of a long lever insures that the float will open the drain when required and provide a high closing pressure to prevent the valve seat from leaking. The valve seat is located well above the bottom of the housing and in a horizontal position to help keep solid particulate from interfering with the operation of the drain. A manual valve is provided that can be opened periodically to remove the accumulated particulate without having to remove the drain from service.

OPERATION

Condensation enters through the top port. A stainless steel float rises with the level of condensation. The float is attached to a lever with the other end of the lever having a seal attached which is pressed against the seat. As the float rises, it exerts a force on the seal to break away from the seat. When the liquid level reaches the desired level, the buoyancy of the float is great enough to pull the seal away from the seat and allow the condensate to pass through the hole in the stainless steel seat. As the condensation is expelled, the float returns to its normally closed position forcing the seal against the seat.

The **CAD 250** is designed to require a minimum amount of maintenance. The use of non-corrosive materials for the drain's internal mechanism further insures trouble free operation.



SPECIFICATIONS

Inlet: 1/2" NPT
Outlet: 1/2" NPT
Pressure: 0 to 250 PSI
Operating Temperature: 32° to 180° F.
Weight: 3 lbs

MATERIALS

Reservoir: Aluminum
Float: Stainless Steel
Seat: Stainless Steel
Seal: Industrial Grade Buna-N
Manual Drain: Brass

CONDENSATE DISCHARGE CAPACITIES - GALLONS/HR									
WORKING PRESSURE, PSI	25	50	75	100	125	150	175	200	250
MODEL CAD250	60	86	107	122	135	148	162	171	190

All design specifications are subject to change without notice.

Distributed by:

AIR SYSTEM PRODUCTS, INC.

51 Beach Ave., Lancaster, NY 14086
 (716)683-0435 ■ (716)683-7128
 www.airsyspro.com